

---

# RAS 10 - 22 XL40

INFLATION TESTING MACHINE FOR CAR AND LIGHT TRUCK TYRES

---



MACCHINE PER PNEUMATICI E PER I PROCESSI DI RICOSTRUZIONE  
EQUIPMENT FOR THE TYRE AND RETREADING INDUSTRIES

## matteuzzi srl

Via Serra, 1/E - 3  
40012 CALDERARA DI RENO, ITALY  
Phone ++39 - 051726351

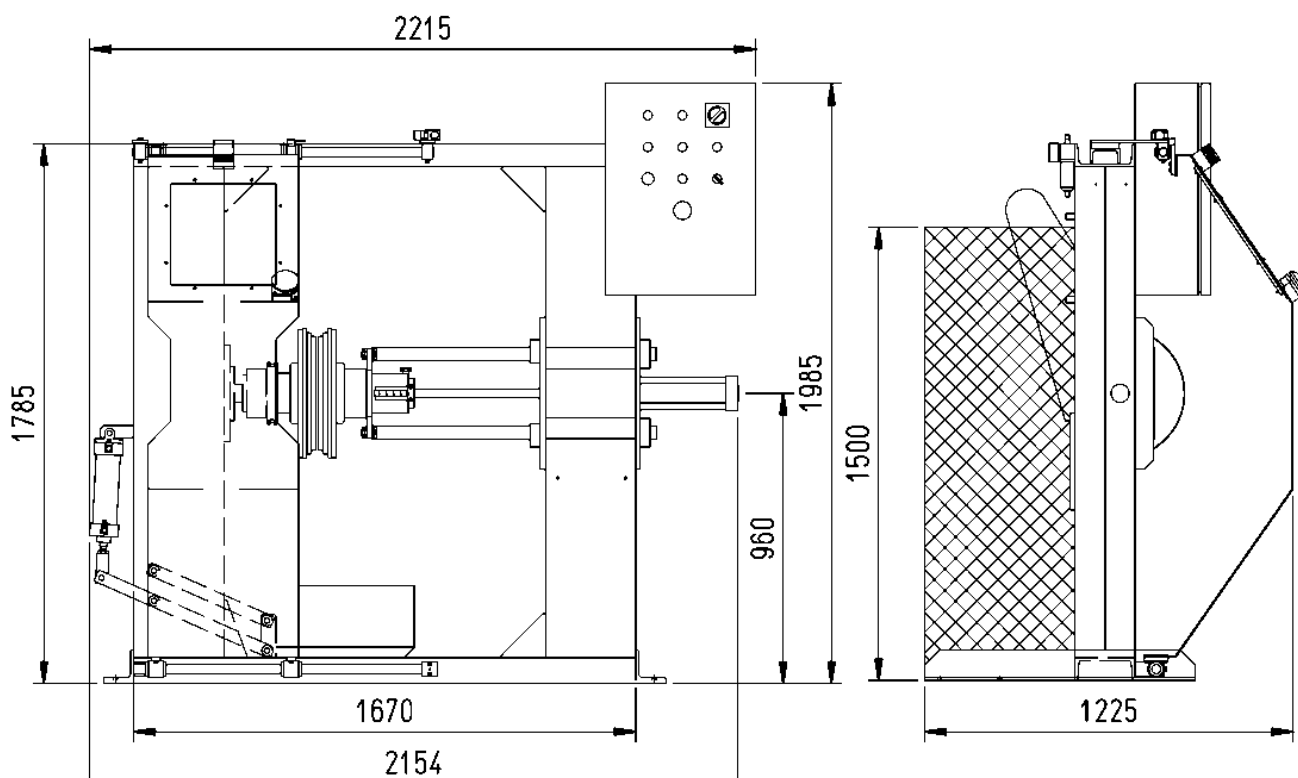
matteuzzi@matteuzzi-srl.com - www.matteuzzi-srl.com

# RAS 10 - 22 XL40

INFLATION TESTING MACHINE FOR CAR AND LIGHT TRUCK TYRES

dimensioni della macchina in servizio

dimensions of the machine in service



Macchina adatta per pneumatici vettura e trasposto leggero aventi le seguenti dimensioni:  
Machine suitable for car and light truck tyres having the following sizes:

	<i>MINIMUM</i>	<i>MAXIMUM</i>
<i>External diameter</i>	500 mm (20")	1016 mm (40")
<i>Cross section</i>	100	407 mm (16")
<i>weight</i>	---	35 kg

*Different limits are possible when requested by the user at order time.*

Due to a policy of continuous improvement, the machine may differ from the images shown